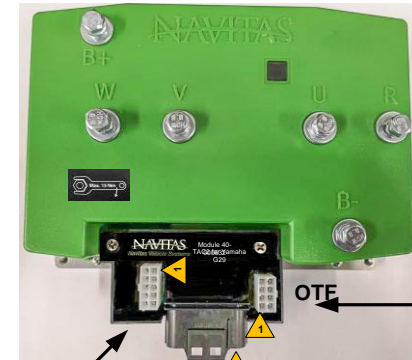
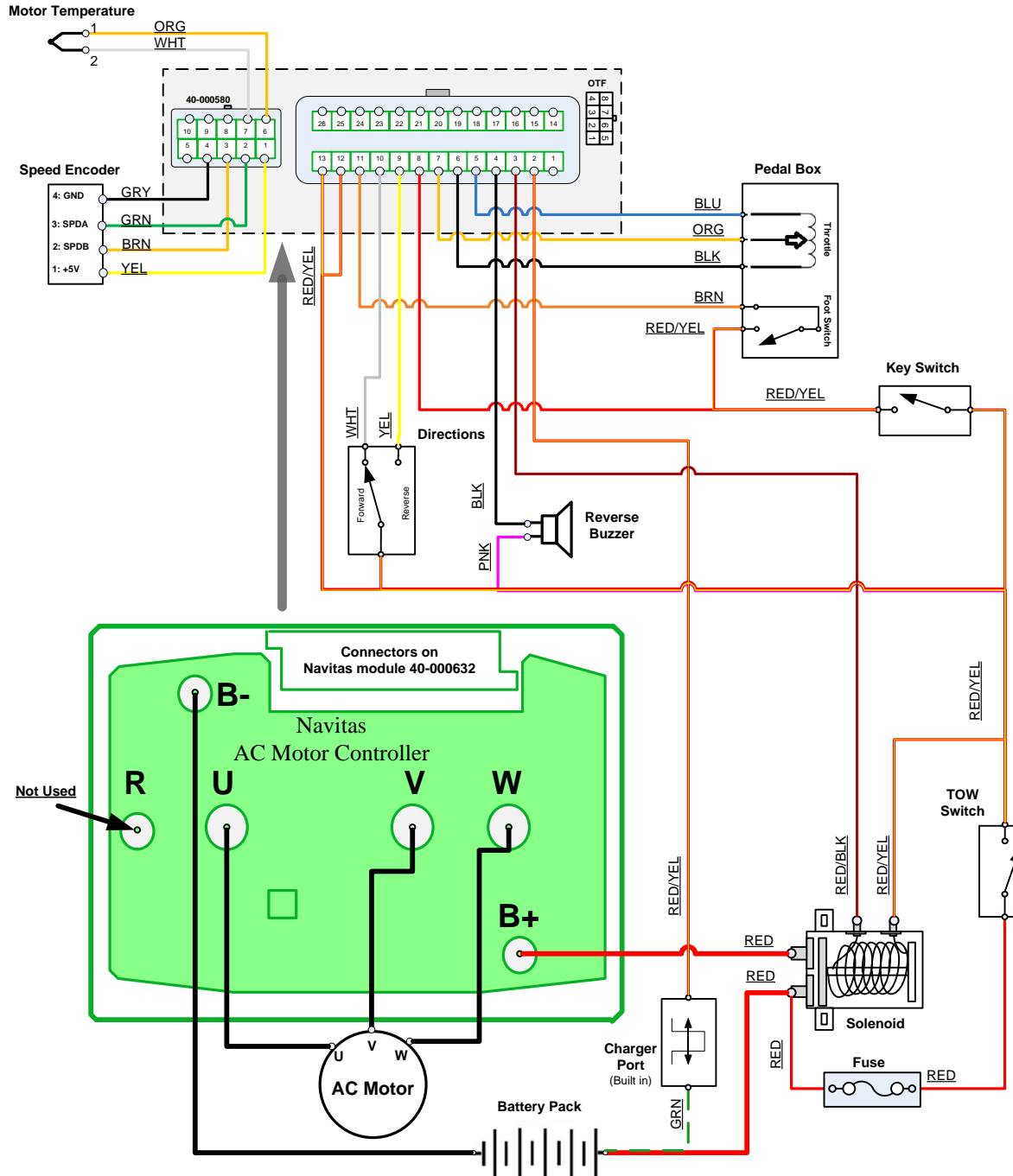
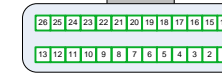


# Wiring Diagram – Yamaha G29 DC/AC Conversion Kit

Using TAC2 Module PN: 40-000632

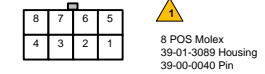


Navitas AC Motor Adapter (10 POS)



26 POS JAE MX23A26NF1

- |                          |              |
|--------------------------|--------------|
| P1: NA                   | P1: NA       |
| P2: Charger Interlock In | P2: RED/YEL  |
| P3: Main Solenoid Out    | P3: RED/BLK  |
| P4: Reverse Buzzer Out   | P4: BLK      |
| P5: +5V PF               | P5: BLU      |
| P6: GND Poly             | P6: BLK      |
| P7: Throttle In          | P7: ORG      |
| P8: Key In               | P8: RED/WHT  |
| P9: Reverse In           | P9: YEL      |
| P10: Forward In          | P10: WHT     |
| P11: Foot Switch In      | P11: BRN     |
| P12: Logic Power In      | P12: RED/YEL |
| P13: Logic Power In      | P13: RED/YEL |
| P14: NA                  | P14: NA      |
| P15: NA                  | P15: NA      |
| P16: NA                  | P16: NA      |
| P17: NA                  | P17: NA      |
| P18: NA                  | P18: NA      |
| P19: NA                  | P19: RED     |
| P20: NA                  | P20: WHT     |
| P21: NA                  | P21: WHT     |
| P22: NA                  | P22: RED     |
| P23: NA                  | P23: NA      |
| P24: NA                  | P24: GRN     |
| P25: NA                  | P25: RED     |
| P26: NA                  | P26: BLK     |



8 POS Molex 39-01-3089 Housing 39-00-0040 Pin

- P1: +12V POLY  
P2: OTF REGEN  
P3: OTF SPEED  
P4: OTF ACCELERATION  
P5: +5V EXT  
P6: OTF LOCK  
P7: REVERSE BUZZER  
P8: GND POLY

**AC Motor Adapter**



10 POS Molex 39-01-3109 Housing 39-00-0040 Pin

- |                                   |         |
|-----------------------------------|---------|
| P1: +5V PF                        | P1: YEL |
| P2: Encoder A In                  | P2: GRN |
| P3: Encoder B In                  | P3: BRN |
| P4: Digital GND                   | P4: GRY |
| P5: Encoder C In                  | P5: NA  |
| P6: Motor Temperature In          | P6: ORG |
| P7: Analog GND                    | P7: WHT |
| P8: NA                            | P8: NA  |
| P9: Key In                        | P9: NA  |
| P10: Motor Brake Solenoid Release | P10: NA |

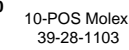
**Revision History**

20210415 Original

Mating 26 POS MX23A26SF1



Navitas AC Motor Adapter (10 POS) PN: 40-000580



- PM-P1: +5V PF  
PM-P2: Encoder A In  
PM-P3: Encoder B In  
PM-P4: Digital GND  
PM-P5: NA  
PM-P6: Motor Temperature In  
PM-P7: Analog GND  
PM-P8: NA  
PM-P9: NA  
PM-P10: NA

AC Motor Speed Sensor, Temp Sensor

- P1: Motor Temperature In  
P2: Analog GND



- 2-POS 282080-1  
P1: +5V PF  
P2: Encoder B In  
P3: Encoder A In  
P4: Digital GND  
4-POS 282088-1